

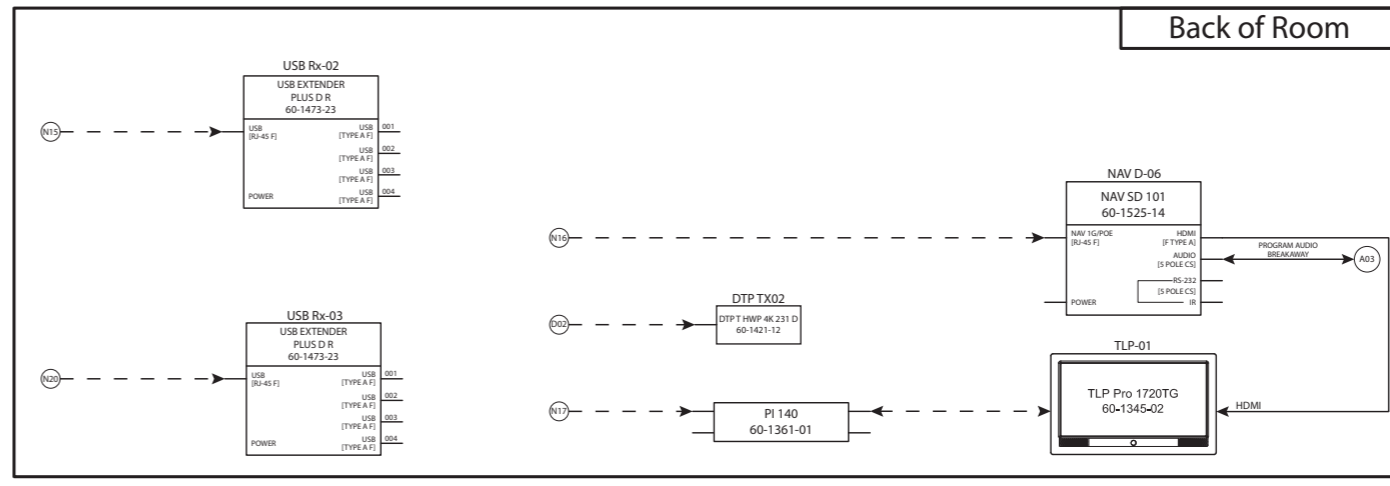
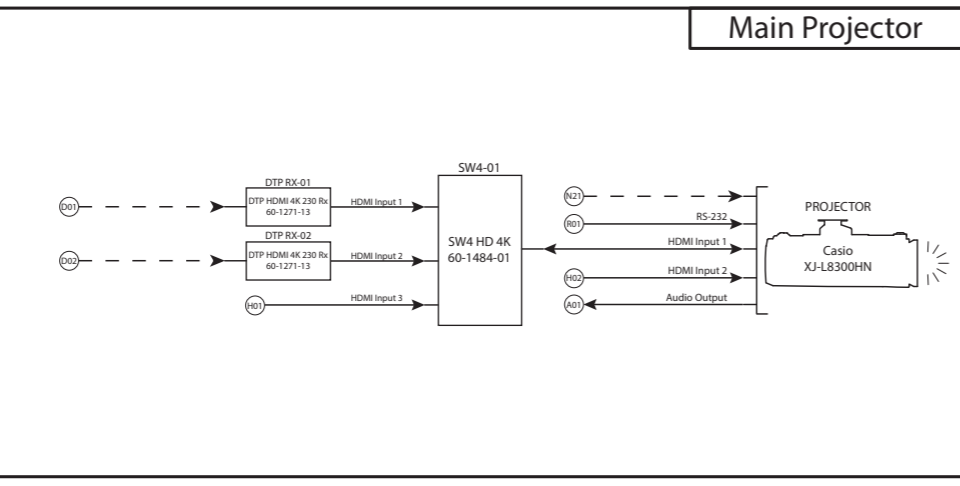
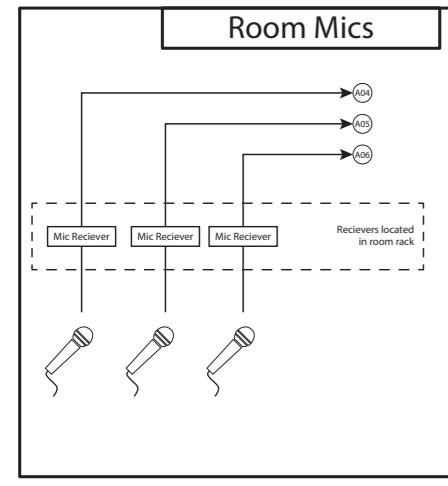
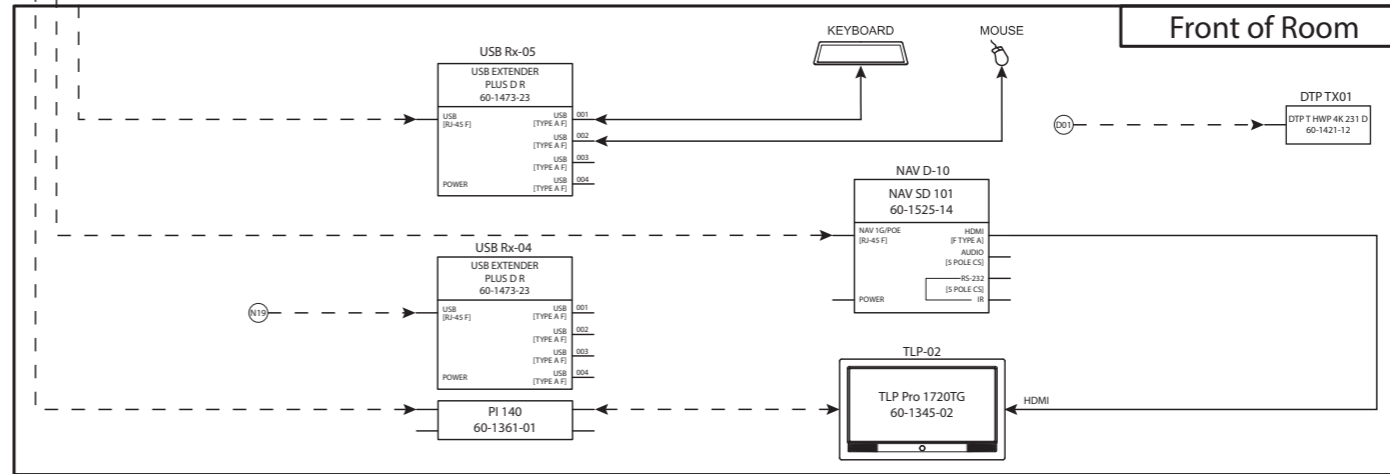
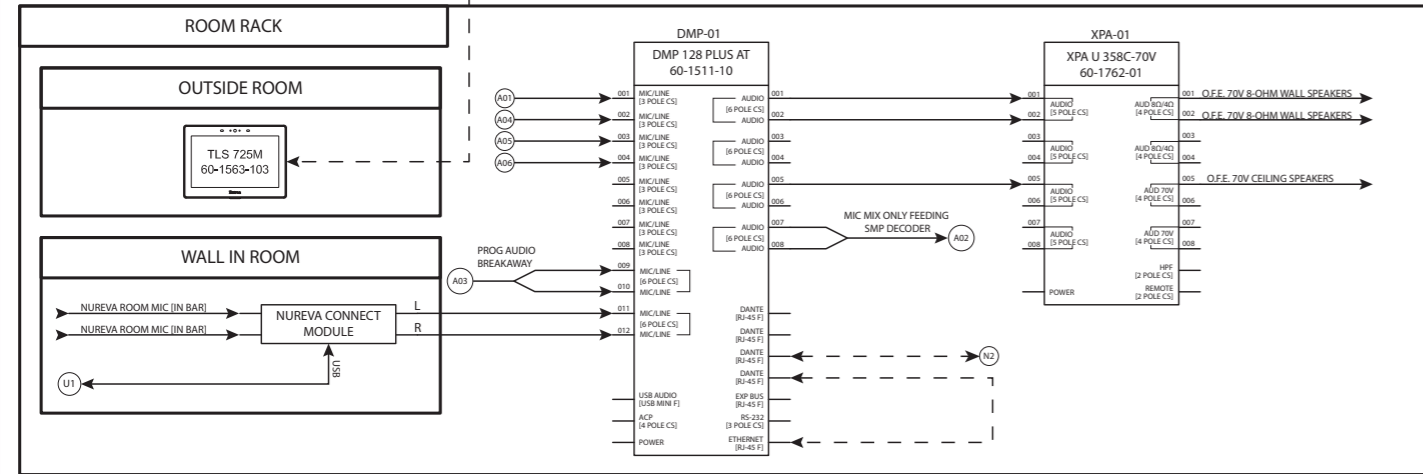
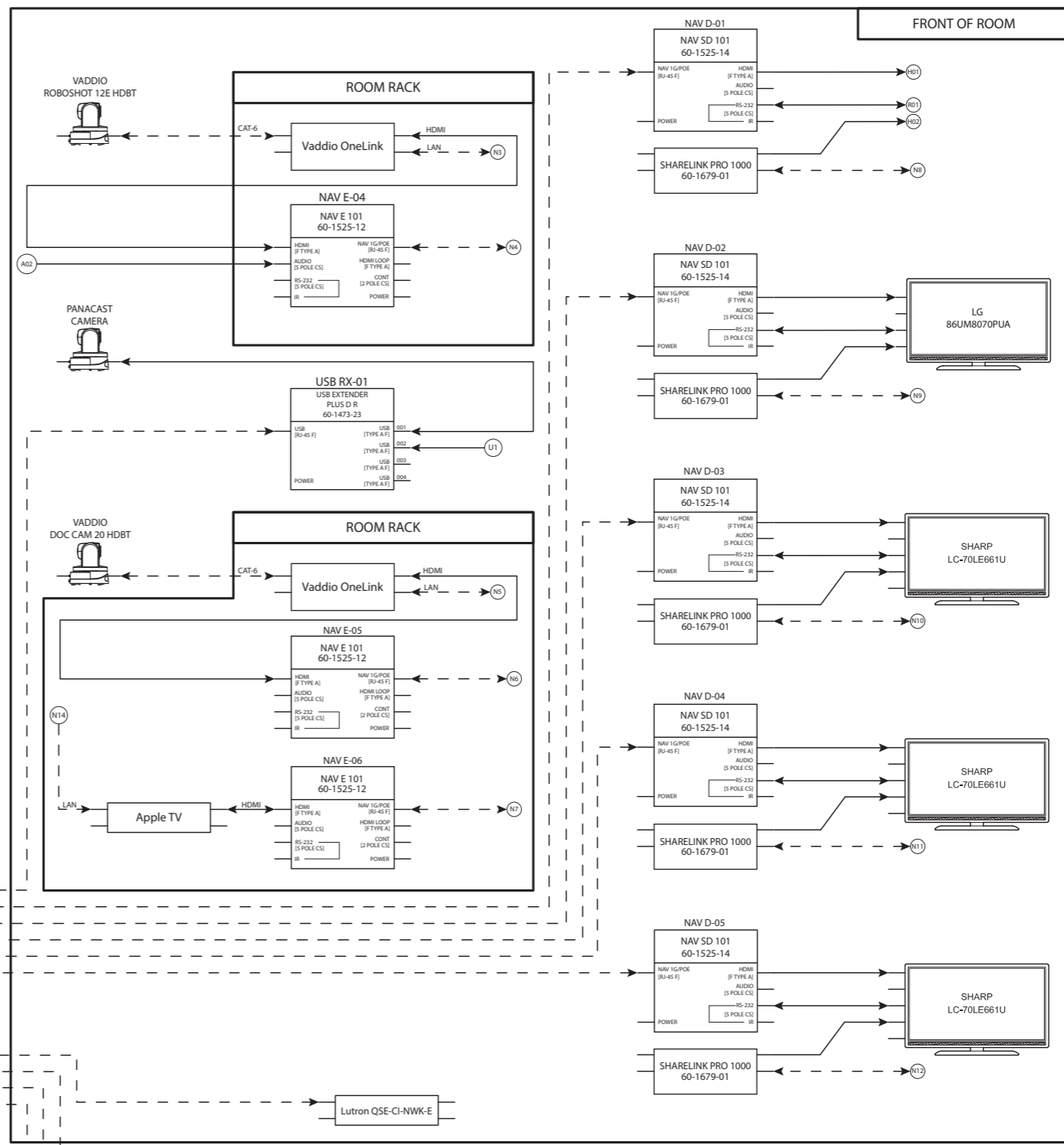
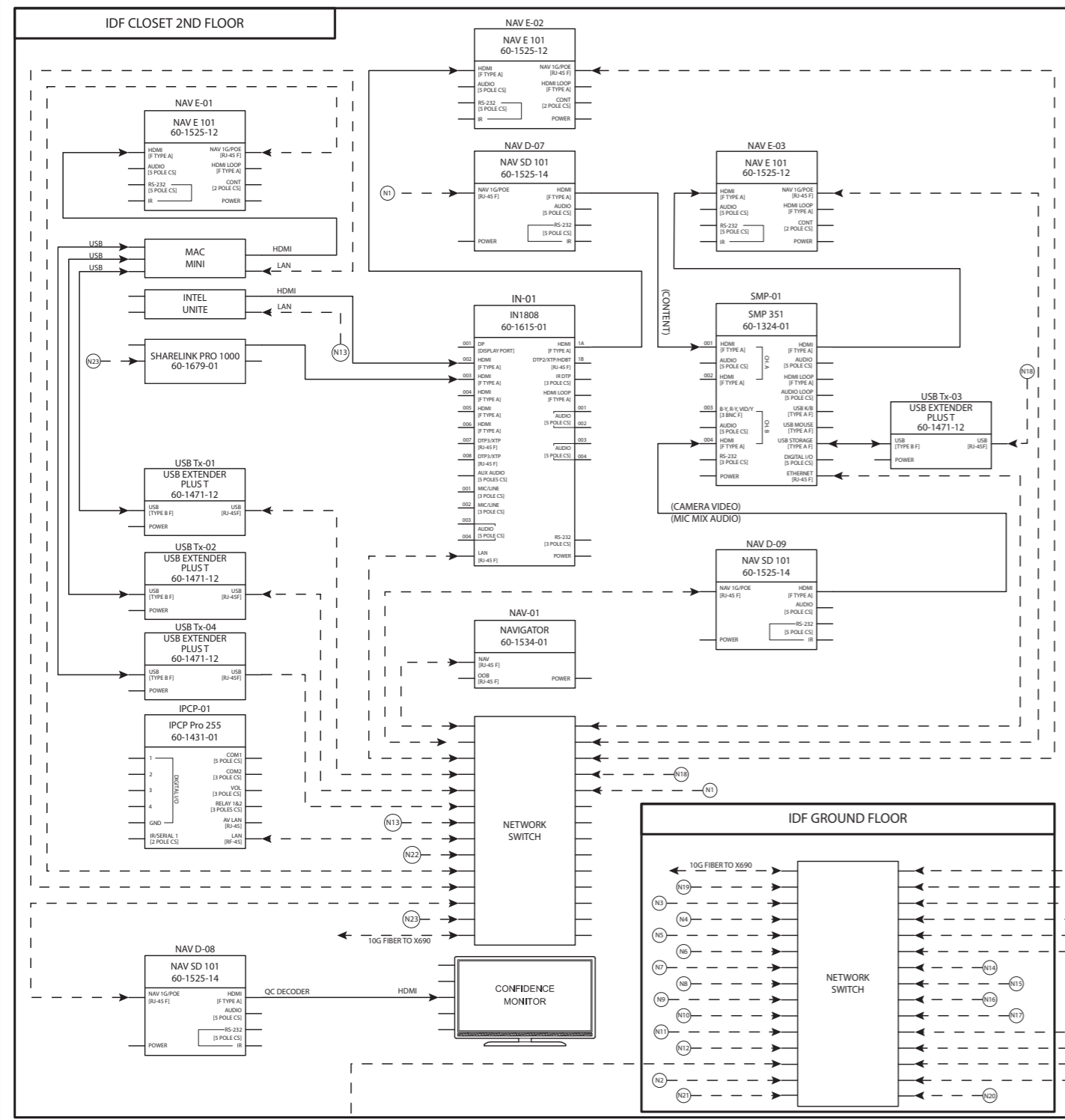


**Extron Electronics**  
 1025 E. BALL ROAD  
 ANAHEIM, CA 92805

**UNIVERSITY OF NORTH CAROLINA**

SCHOOL OF MEDIA AND JOURNALISM  
 144 CARROLL HALL  
 CB 3365  
 CHAPEL HILL, NC 27599

THE INFORMATION AND/OR ILLUSTRATION ARE THE EXCLUSIVE PROPERTY OF EXTRON ELECTRONICS. NO DUPLICATION NOR REPRODUCTION IS ALLOWED WITHOUT THE EXPRESS WRITTEN PERMISSION OF EXTRON ELECTRONICS.



DESCRIPTION:  
 Carroll Hall Room 58  
 As Built

APPROVED BY:

REQUESTED BY:

DRAWN BY:

CALL LOG No.:      DATE:

SHEET:              SCALE:  
 1 OF 1